

# SKF Product Information

## Hydraulic Bushing Range & Features



See table below



### Important information related to Hydraulic bush



Rubber To Metal Bushes play a vital role within any vehicles steering & suspension system; they absorb noise and vibrations from roads and are also crucial for car handling.

Compared to conventional bushes, entirely made of rubber compound, Hydraulic bushes have an hydraulic fluid inside, (mainly oil).

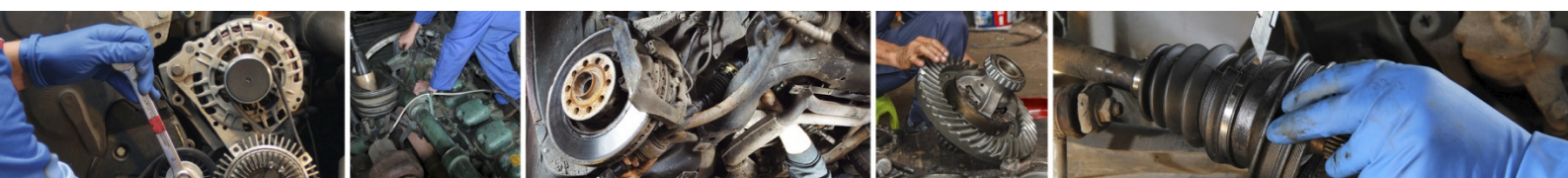
Hydraulic bushes have a far superior damping force vs conventional bushes, especially at certain frequency and amplitude where conventional bushing is lacking.

In short, Hydraulic bushes provide a greater capability and flexibility when it comes to absorbing noise and vibrations.

They are used more and more in modern car especially on Medium-High Range vehicle applications.

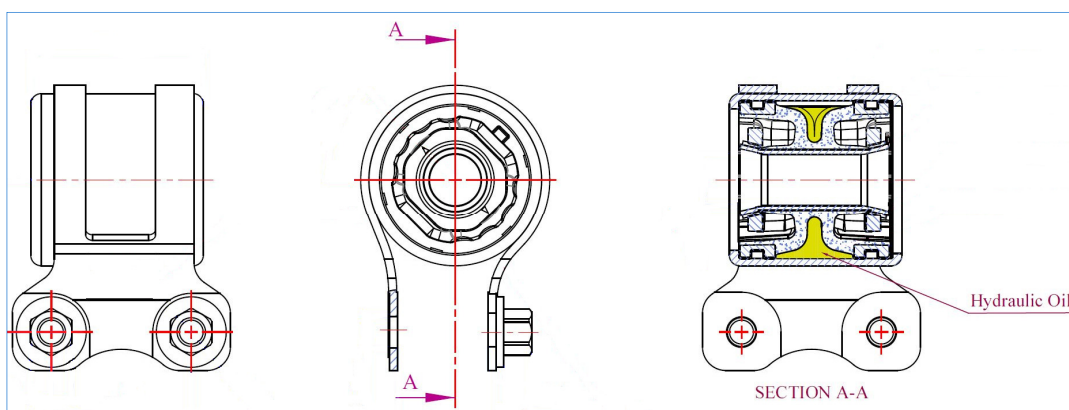
We recommend to carefully replace the bushes and ensure that is the same design as OE .

For that purpose, SKF has created a dedicated range of Hydraulic bushes to follow OE part design.



## Table of all SKF kit with Hydraulic bush:

KIT TYPE	KIT DESIGNATION	MANUFACTURER NAME	CAR MODEL	START DATE	END DATE
Suspension Axle Beam Kit	VKDS 478002	MERCEDES-BENZ	CLS, E-CLASS	01/03/2002	31/12/2010
Suspension Axle Beam Kit	VKDS 478003	MERCEDES-BENZ	C-CLASS, CLS, E-CLASS	01/02/2008	31/12/2017
Suspension Axle Beam Kit	VKDS 478512	BMW	1, 3, X1, X3, Z4	01/12/1997	30/06/2015
Suspension track control arm bush kit	VKDS 331074	AUDI, VW	A8, PHAETON	01/04/2002	31/03/2016
Suspension track control arm bush kit	VKDS 331076	AUDI	A4, A4 Allroad, A5, Q5	01/06/2007	Open
Suspension track control arm bush kit	VKDS 333088	PEUGEOT	508, 508 SW	01/11/2010	Open
Suspension track control arm bush kit	VKDS 334006	FORD, VOLVO	GALAXY, MONDEO, S-MAX, S60, S80, V60, V70, XC60, XC70	01/03/2006	31/12/2018
Suspension track control arm bush kit	VKDS 334007	FORD, VOLVO	GALAXY, MONDEO, S-MAX, S60, S80, V60, V70, XC60, XC70	01/03/2006	31/12/2018
Suspension track control arm bush kit	VKDS 334010	FORD, VOLVO	C-MAX, FOCUS, FOCUS C-MAX, KUGA, C30, C70, S40, V50	01/10/2003	31/12/2013
Suspension track control arm bush kit	VKDS 334032	FORD	MONDEO	01/10/2000	31/03/2007
Suspension track control arm bush kit	VKDS 335009	CHEVROLET, OPEL, VAUXHALL	CAPTIVA, ANTARA	01/06/2006	Open
Suspension track control arm bush kit	VKDS 337003	LAND ROVER	RANGE ROVER	01/03/2002	31/08/2012
Suspension track control arm bush kit	VKDS 337501	LAND ROVER	DISCOVERY	01/07/2004	31/12/2018
Suspension track control arm bush kit	VKDS 338002	MERCEDES-BENZ	C-CLASS, E-CLASS, GLK-CLASS, SLC, SLK	01/01/2007	Open
Suspension track control arm bush kit	VKDS 338013	MERCEDES-BENZ	CLS, E-CLASS, SL	01/10/2001	Open
Suspension track control arm bush kit	VKDS 338054	MERCEDES-BENZ	E-CLASS, S-CLASS	01/03/2003	31/07/2009
Suspension track control arm bush kit	VKDS 338505	BMW	5, 6	01/12/2001	31/12/2010
Suspension track control arm bush kit	VKDS 338539	BMW	7	01/07/2001	31/12/2009
Suspension track control arm bush kit	VKDS 338540	BMW	5, 7	01/02/2008	28/02/2017
Suspension track control arm bush kit	VKDS 338542	BMW	1, 2, 3, 4	01/07/2011	Open
Suspension track control arm bush kit	VKDS 832007	NISSAN	PRIMERA	01/01/2002	Open
Suspension track control arm kit	VKDS 324002 B	FORD, VOLVO	C-MAX, FOCUS, FOCUS C-MAX, C30	01/10/2003	31/12/2012
Suspension track control arm kit	VKDS 324003 B	FORD, VOLVO	C-MAX, FOCUS, FOCUS C-MAX, C30	01/10/2003	31/12/2012
Suspension track control arm kit	VKDS 324008 B	FORD, VOLVO	GALAXY, MONDEO, S-MAX, V70	01/05/2006	31/12/2015
Suspension track control arm kit	VKDS 324009 B	FORD, VOLVO	GALAXY, MONDEO, S-MAX, V60, V70	01/05/2006	31/12/2015
Suspension track control arm kit	VKDS 324016 B	FORD	C-MAX, FOCUS, GRAND C-MAX	01/04/2010	Open
Suspension track control arm kit	VKDS 324026 B	FORD, VOLVO	FOCUS, FOCUS C-MAX, C30, C70, S40, V50	01/10/2003	31/12/2013
Suspension track control arm kit	VKDS 324027 B	FORD, VOLVO	FOCUS, FOCUS C-MAX, C30, C70, S40, V50	01/10/2003	31/12/2013
Suspension track control arm kit	VKDS 324040 B	FORD	C-MAX, FOCUS, GRAND C-MAX	01/04/2010	Open
Suspension track control arm kit	VKDS 325033 B	CHEVROLET, OPEL, VAUXHALL	CAPTIVA, ANTARA	01/06/2006	Open
Suspension track control arm kit	VKDS 325034 B	CHEVROLET, OPEL, VAUXHALL	CAPTIVA, ANTARA	01/06/2006	Open
Suspension track control arm kit	VKDS 325035 B	CHEVROLET, OPEL, VAUXHALL	CRUZE, AMPERA, ASTRA, ASTRA J	01/05/2009	Open
Suspension track control arm kit	VKDS 325036 B	CHEVROLET, OPEL, VAUXHALL	CRUZE, AMPERA, ASTRA, ASTRA J	01/05/2009	Open
Suspension track control arm kit	VKDS 327505 B	LAND ROVER	RANGE ROVER SPORT	01/02/2005	31/03/2013
Suspension track control arm kit	VKDS 327506 B	LAND ROVER	RANGE ROVER SPORT	01/02/2005	31/03/2013
Suspension track control arm kit	VKDS 327519	JAGUAR	S-TYPE, XF	01/01/1999	30/04/2015
Suspension track control arm kit	VKDS 328002 B	MERCEDES-BENZ	CLC-CLASS, CLK, SLK	01/06/2004	30/06/2011
Suspension track control arm kit	VKDS 328003 B	MERCEDES-BENZ	CLC-CLASS, CLK, SLK	01/06/2004	30/06/2011
Suspension track control arm kit	VKDS 328567	BMW	X3	01/01/2004	31/12/2011
Suspension track control arm kit	VKDS 328568	BMW	X3	01/01/2004	31/12/2011
Suspension track control arm kit	VKDS 824040 B	MAZDA	3, 5	01/10/2003	Open
Suspension track control arm kit	VKDS 824041 B	MAZDA	3, 5	01/10/2003	Open



[Click here to watch SKF technical videos on Youtube](#)

© SKF Group 2021

The contents of this publication are the copyright of the publisher and may not be reproduced (even extracts) unless written permission is granted. Every care has been taken to ensure the accuracy of the information contained in this publication but no liability can be accepted for any loss or damage whether direct, indirect or consequential arising out of the use